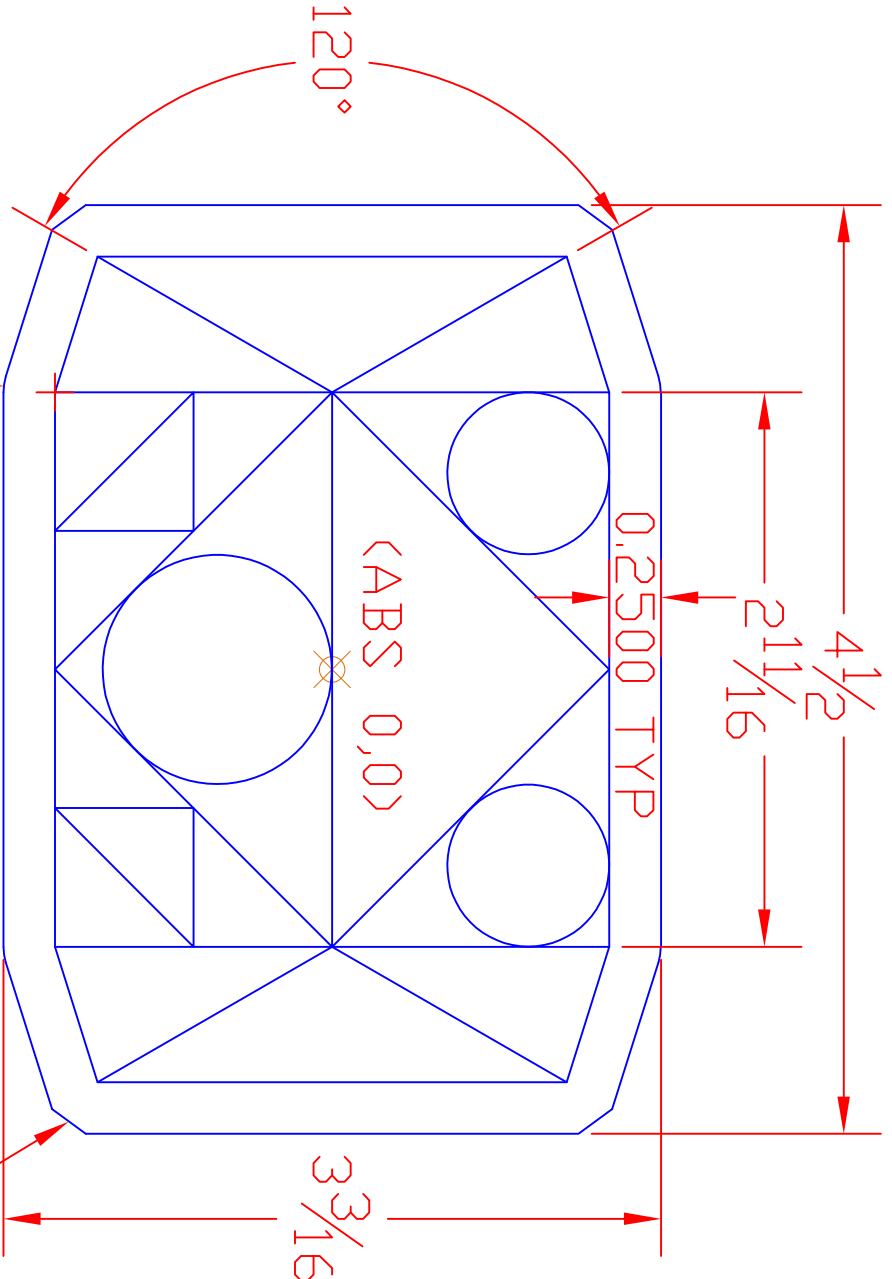


Revisions			
Rev	Description	Date	Appvd
A	Geometry Updated	2017May27	WKH



**Tolerances:**

- X ±.1
- XX ±.03
- XXX ±.005
- Fractional ±1/16
- Angular ±.5°

Unless otherwise noted

Dwg Name				ETSU CADD ENTC 2170	
Geometric Construction				Assignment #2.3	
Size	Date	Dwg No.	Rev		
TBD	May27, 2017	ENTC2170-023	A		
Scale	Drawn by J Wentworth Bigglesly, Jr.				
NTS					