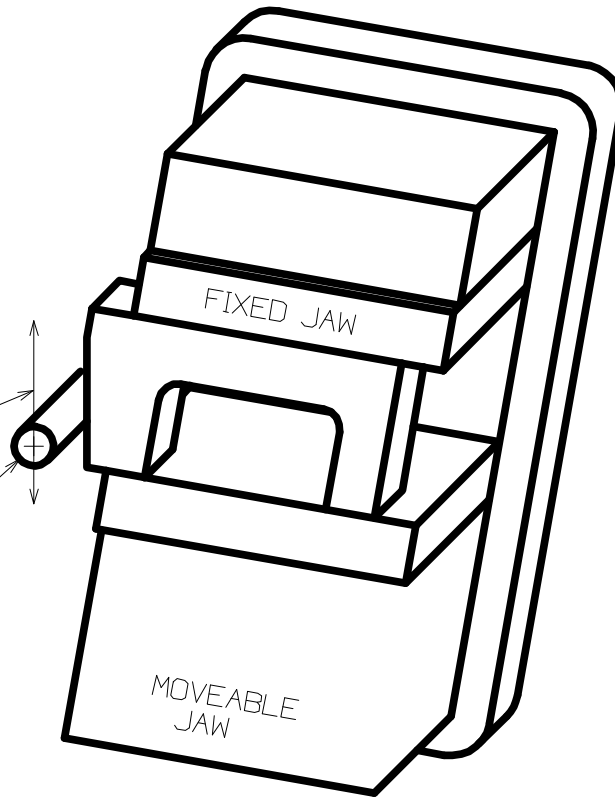


NOTE
VISE ANGLE IS
EXAGGERATED

CUTTER TRAVEL
DIRECTION FOR
ANGLE CUT

MILLING
CUTTER



STEP 3: MILL FRAME ENDS

ETSU Technology

C-Clamp Assembly

Frame End Angle Milling

Dwgn by Stanton, G

Date

A

Scale: None

12/28/91

Drawing No.

Rev

Sheet

2200-60

-

3 of 3